

# Mercedes Benz Australia Trucks

Advanced Herd Bullbars has worked closely with Mercedes Benz Australia Pty Ltd to design our range of FUPS Compatible bullbars and bumpers for Mercedes Benz truck range.



ADV7393 MERC ATEGO 5AP Bullbar



ADV7733 MERC ACTROS 07+ FUPS  
Compatible RADAR Bumper  
Approval No. B031-27/09/07

ADV7503 MERC ACTROS 07+ 5A FUPS  
Compatible Bullbar  
Approval No. B031-27/09/07

## NEW

ADV7798 SPOT MERC ACTROS 07+ 6A FUPS  
Compatible Bullbar with Driving Lights and Radar  
cutout Approval No. B031-27/09/07  
RADAR Cutout is a delete option for this bullbar



The Heavy Duty Bullbar Source

Phone 1800 627 077  
[www.advancedbars.com.au](http://www.advancedbars.com.au)



ADV 7509 MERC AXOR 5AP (2 POST with PIPE OUTERS) FUPS Compatible Bullbar  
Approval No. B031-27/09/07

**Accessories:**

ADV7523-18 MERC ACTROS heavy duty Polycarbonate Headlight Cover set

ADV7523-19 MERC ACTROS heavy duty Polycarbonate Driving Light Cover set

ADV7591-4 MERC ACTROS heavy duty Polycarbonate Radar Covert

**NEW**

ADV7665 MERC ACTROS 07+ 5A FUPS Compatible Bullbar featuring Dual HELLA Headlights and Driving Lights  
Approval No. B031-27/09/07

The HELLA Light Kit that can be purchased separately comprises:

- 2 x high/low beam Part No. 1058 HD
- 2 x high beam Part No. 9-1358-01
- 4 x housings Part No. 1016
- 1 x fog light kit Part No.1108 plus 2 x 24v YC2470 lamps
- 2 x KW seals Part No. W95139600



ADV7705 MERC AXOR "Texas" FUPD Bumper **only suitable for trucks without factory FUPS**  
Approval No. FUP10127/09

Our Mercedes Benz 07+ model Axor and Actros FUPS compatible bullbars are compatible with the factory FUPS system.

The bullbars can be supplied either with or without the optional factory driving lights. This design also utilizes the factory headlight protector guards that can be fitted or removed with the bullbar in place OR we can supply a heavy duty Polycarbonate set.

**FUPS Bullbars can be fitted to a FUPS or non-FUPS truck - if fitted to a non-FUPS truck this bullbar is NOT FUPS compatible.**

ADV7393 MERC ATEGO 5AP (2 POST with PIPE OUTERS) Bullbar



**RADAR** - we have used this terminology in our part description to highlight that our heavy duty bullbar and bumper products interface with Mercedes Benz truck safety options:

Telligent® Proximity Control is a driver assistance system that keeps the truck at a safe distance to vehicles ahead

Telligent® Lane Assistant alerts drivers when they are in danger of straying from the traffic lane via a small camera behind the windshield that records the section of lane immediately in front of the vehicle. If the driver departs from the lane unintentionally, a characteristic 'rumble strip' sound is emitted from the radio.

There are other products included in the Mercedes Benz Safety package - we recommend contact with them for further information.

Thanks to Mercedes Benz Australia Pty Ltd for this Telligent® information.

ADV7591 MERC ACTROS 5A (4 POST)  
FUPS Compatible RADAR Bullbar  
Approval No. B031-27/09/07

ADV7764 SPOT MERC ACTROS 07+ FUPD  
Bumper specifically designed for non-FUPS  
ACTROS trucks. Approval No. FUP10127/09



ADV7733 MERC ACTROS 07+ FUPS  
Compatible RADAR Bumper  
Approval No. B031-27/09/07



## FUPD Testing Compliance and Certification

Advanced Herd Bullbars FUPD testing is conducted in-house on a purpose built test rig under supervision by an independent approved VASS certified competent entity. All documentation pertaining to tests are available to recognised transport authorities upon request. At Advanced Herd Bullbars we treat the design criteria to meet FUPD certification as our minimum standard. Photos show ADV7477 being tested under pressure.



8 Tonne test @ P1 test point

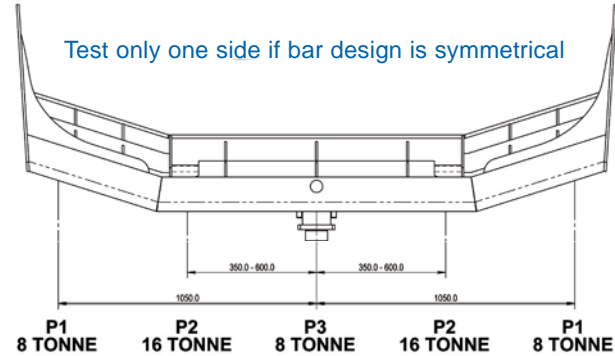


16 Tonne test @ P2 test point



8 Tonne test @ P3 test point

### FUPD Testing Information



P1, P2, P3 represent the test points at which test loads as dictated by ECE R93 and ADR84 are applied.

**In-house FUPD testing ensures design integrity and conformance - we offer a 100% money back guarantee that our FUPD certified products conform to ECE R93 and ADR84.**

#### Advanced Herd Bullbars

22 Avro Street

Tamworth NSW 2340 NSW, SA

Robert Scott

ph: 02 6762 2252

fax: 02 6762 2464

mob: 0427 890 106

roberts@advancedbars.com.au

#### Bullbars for Trucks

Unit2/166 Beatty Road

Archerfield QLD 4108 QLD, NT

Steven Airs

ph: 07 3277 2899

fax: 07 3277 2891

mob: 0427 597 087

stevens@bullbars.net.au

#### Advanced Herd Bullbars

Head Office and Manufacturing Facility

156 South Gippsland Highway

Dandenong South VIC 3175 VIC, TAS, WA

Barry Devlin

ph: 03 9793 7777

fax: 03 9794 5475

mob: 0438 554 040

barryd@advancedbars.com.au

David Taylor

ph: 03 9793 7777

fax: 03 9794 5475

mob: 0488 300 944

davidt@advancedbars.com.au

Ian Balfour

fitting: 0407 232 920



**BULLBARS FOR TRUCKS**

**bullbars.net.au**



**The Heavy Duty Bullbar Source**

1800 627 077  
www.advancedbars.com.au