

ISUZU Trucks Australia

Advanced Herd Bullbars has developed a heavy duty FUPD bullbar to suit the ISUZU GIGA CXY, CXZ 455 08+ series truck range Contact your nearest outlet for more details.



ADV7730 ISUZU GIGA CXY, CXZ 08+ 6A FUPD Bullbar

Approval No. FUP10282/09

For Northern Australia clients Brisbane based Bullbars for Trucks is now part of the Advanced Herd Bullbars Group



BULLBARS FOR TRUCKS

bullbars.net.au



The Heavy Duty Bullbar Source

1800 627 077

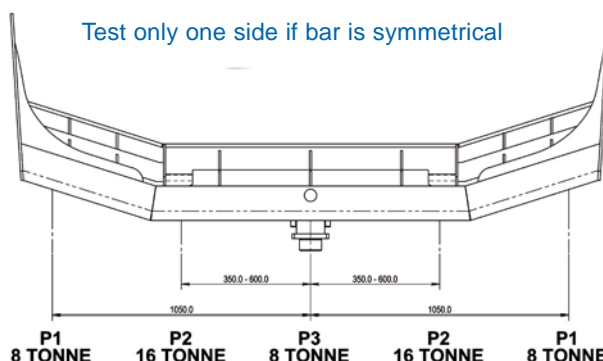
www.advancedbars.com.au

ISUZU Trucks Australia

Are you FUPD yet?

FUPD Testing Information

We offer a 100% guarantee that our FUPD Bullbars conform to test criteria outlined in UN ECE R93.



ADV7283 ISUZU NPR 04+ OA3 Bullbar

We are presently designing a range of bullbars for “older” ISUZU F Series trucks. If interested please contact your nearest outlet for more details.

Our P1, P2, P3 represent the points where pre-determined forces as dictated by ECE R93 are applied.

This data is available upon request to any recognised authority for verification. (some manufacturers still today provide FUPD products without the provision nor compliance to this test criteria).

Maximum height from ground to underside of bullbar must be less than 400mm to comply with FUPD requirement.

NSW, SA

Robert Scott

ph: 02 6762 2252

fax: 02 6762 2464

mob: 0427 890 106

roberts@advancedbars.com.au

VIC, TAS

Barry Devlin

ph: 03 9794 5474

fax: 03 9794 5475

mob: 0438 554 040

barryd@advancedbars.com.au

QLD

Scott Ryder

ph: 07 3277 2899

fax: 07 3277 2891

mob: 0427 597 087

scott.ryder@bullbars.net.au

So as to better serve the bullbar market Brisbane based Bullbars for Trucks is now part of the Advanced Herd Bullbars Group



BULLBARS FOR TRUCKS

bullbars.net.au



The Heavy Duty Bullbar Source

1800 627 077

www.advancedbars.com.au